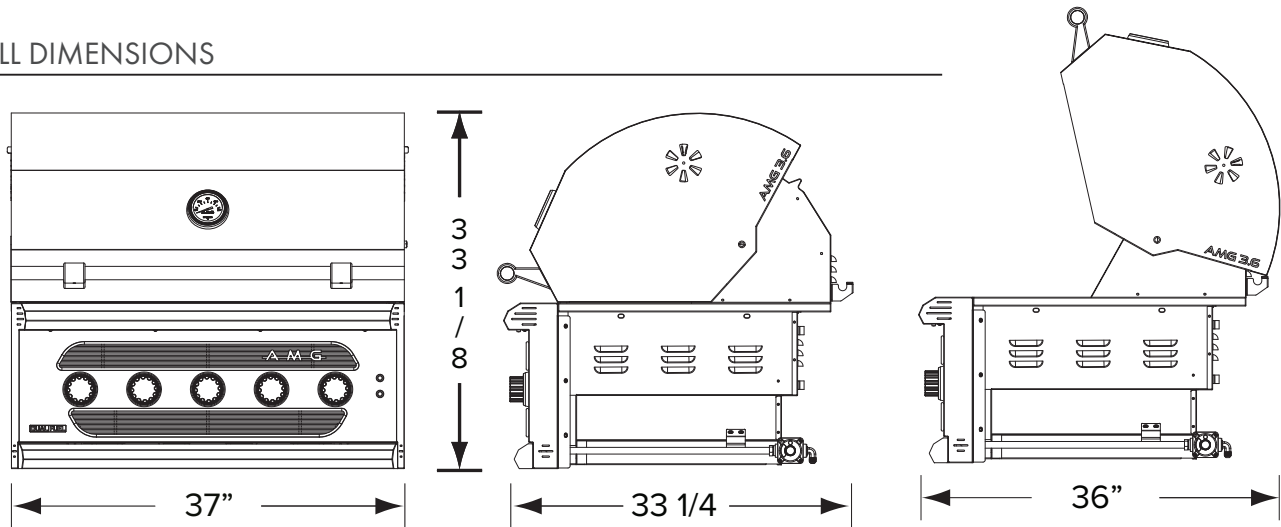


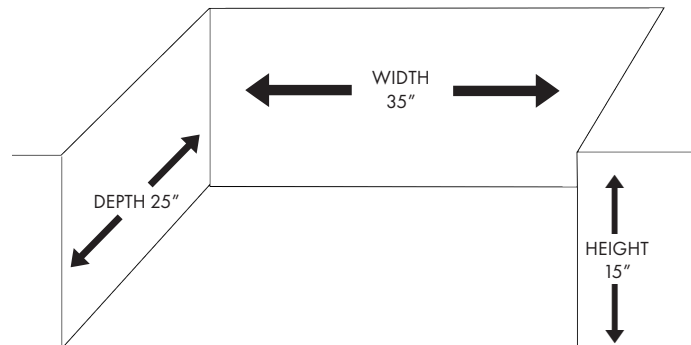
AMERICAN MUSCLE GRILL

SPEC SHEET

OVERALL DIMENSIONS



AMG CUTOUTS



FEATURES & BENEFITS

- #304 Stainless Steel Construction
- 36" and 54" sizes
- 16 Gauge Double-Lined Hood
- 14 Gauge #304 Stainless Steel Burners
- Reversible, Hemispherical Shaped Grates
- Solid Brass, Flame Thrower Valve Ignition
- Tested to the ANSI Z21.58/ CGA 1.6
- Easy-clean drip pan w/drain
- Spring Assist hood In Axle
- Infrared Burner can plug and play in 4 of 5 burner positions
- High air flow design
- Available Commercial Grade Rotisserie With 100 lb. Motor
- Comes With Leather Gloves, Grate Tool and Head Cover
- Full width hood handle
- High efficiency interior cooking lights
- LED lights over each knob
- Removable 12 gauge stainless charcoal trays for solid fuel cooking
- Built in Rotisserie Spit Storage
- Built, factory tested, and serviced in the USA.

CAPABLE OF COOKING MULTIPLE FUELS INCLUDING GAS, CHARCOAL, LUMP CHARCOAL, WOOD CHIPS PELLETS AND INFRARED.